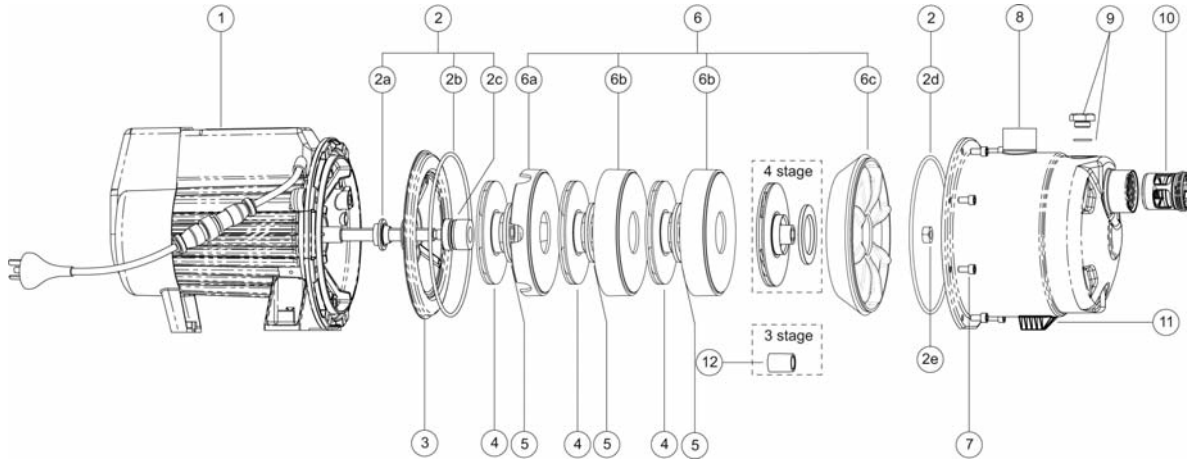


HOME WATER PRESSURE SYSTEMS

HS12-30HT1-0	HS12-30HT1-1	(115V)	3 stage
HS12-40HT1-0	HS12-40HT1-1	(115V)	4 stage
HS18-30HT1-0	HS18-30HT1-1	(115V)	3 stage
HS18-40HT2-0	HS18-40HT2-1	(230V)	4 stage
HS20-65HT2-0	HS20-65HT2-1	(230V)	4 stage

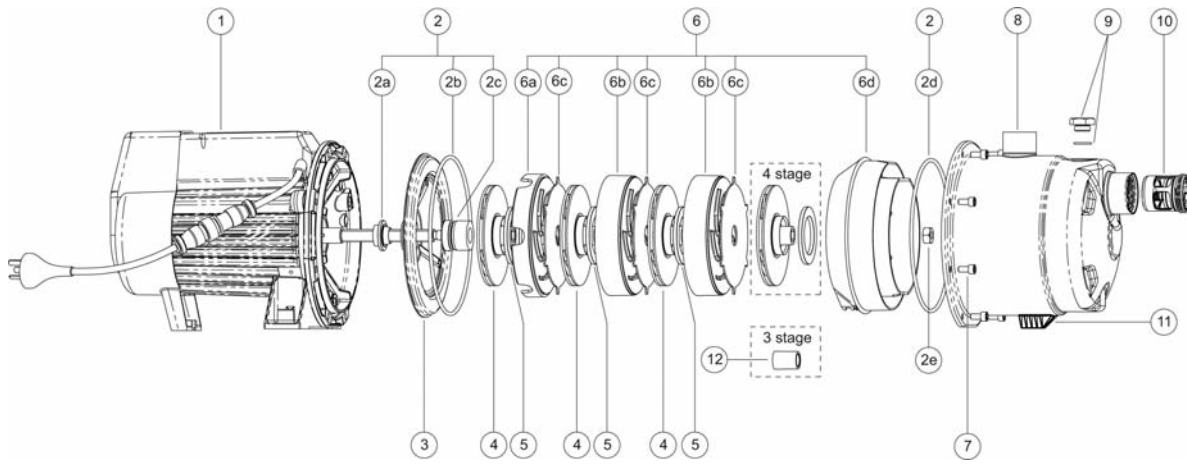


ITEM	NOTES	DESCRIPTION	QTY	PART NO.	LIST PRICE (USD)	UNIT
1		Service Motor 120V - HS CSA HS12-30, HS12-40, HS18-30	1	7040	285.95	ea
1		Service Motor 230V - HS CSA HS18-40	1	7041	285.95	ea
1		Service Motor 230v HS20-65HT2	1	832	738.95	ea
2		Kit - seal HS	1	32014	41.95	ea
2a		Slinger	1	12551	See 32014	ea
2b		Oring	1	43403	See 32014	ea
2c		Seal - mechanical 5/8" bergman	1	49533	See 32014	ea
2d		Oring -1st stage body	1	40019	See 32014	ea
2e		Nut - half	2	401573	See 32014	ea
3		Backplate	1	12538	16.95	ea
4		Impeller - 60Hz HS12-30, HS12-40	No. of stages	12545-1	43.95	ea
4		Impeller - 60Hz HS18-30, HS18-40	No. of stages	12559-1	43.95	ea
4		Impeller - HS60 50Hz HS20-65 only	No. of stages	12559SP	43.95	ea
5		Ring - wear	No. of stages	12548-10	7.95	ea
6		Diffuser kit - HS USA Separate components	1	32015SPUSA	95.95	ea
7		Screw - casing (pk8) all other models	1	S34M0616*8	10.95	pkt
7		Screw (pkt 8) HS20-65 only	1	S34M0620*8	10.95	pkt
8		Casing assy - front HS nps	1	31907SP	107.95	ea
9		Plug & oring, 3/8 priming	1	12597SP	17.95	ea
10		Checkvalve assembly	1	31573USA	12.95	ea
11		Support - foot/tape	1	12665SP	5.95	ea
12		Spacer - (3 stage only)	1	12618	11.95	ea
		Coupling assembly Not Illustrated	1	32320-ISP	13.95	ea
		Oring Not Illustrated	1	43061	4.95	ea
		Flow kohn Not Illustrated	1	11392-10	11.95	ea
		Plug & oring -priming Not Illustrated	1	11591-1	14.95	ea
		Hose - braided s/s for CL USA Not Illustrated	1	49376	65.95	ea
		Support washer Not Illustrated	4	12996	2.95	ea
		Plug & oring drain - HS USA Not Illustrated	1	49358SP	15.95	ea
		Rubber washer pkt 20 Not Illustrated	1	10089*20	13.95	pkt
		1" x 3/4" reducing bush Not Illustrated	1	47956	3.95	ea
		Kit - relay retrofit	1	32562	38.95	ea
		Relay - 30 amp HS20-65HT2 only - Not Illustrated	1	48764	21.95	ea
		Seals & Plug Kit HS USA	1	32563	99.95	ea
		Casing Kit HS USA	1	32564	124.95	ea
		Diffuser Assy Kit HS USA	1	32565	112.95	ea
		Wear Ring Kit HS USA	1	32566	31.95	ea
		Hydrascan Controller (All models)	1	Replaced by Torrium Controller		ea

U.S. SERVICE CENTER RETAIL PRICE LIST Effective April 1st, 2009. All prices subject to change without notice. Drawings are indicative only, product appearance may change slightly. Some parts are not stocked individually and may be available only as part of a service kit or are special order items with extended lead times. To order call Toll Free 866-626-7867 or email: sales@primopumps.com

HOME WATER PRESSURE SYSTEMS

HS12-30HT1-2	HS12-30HT1-3	(115V)	3 stage
HS12-40HT1-2	HS12-40HT1-3	(115V)	4 stage
HS18-30HT1-2	HS18-30HT1-3	(115V)	3 stage
HS18-40HT2-2	HS18-40HT2-3	(230V)	4 stage
HS20-65HT2-2	HS20-65HT2-3	(230V)	4 stage



ITEM	NOTES	DESCRIPTION	QTY	PART NO.	LIST PRICE (USD)	UNIT
1		Service Motor 120V - HS CSA HS12-30, 12-40, 18-30	1	7040	285.95	ea
1		Service Motor 230V - HS CSA HS18-40 only	1	7041	285.95	ea
1		Service Motor 230v HS20-65 only	1	832	738.95	ea
2		Kit - seal HS	1	32014	41.95	ea
2a		Slinger	1	12551	See 32014	ea
2b		Oring	1	43403	See 32014	ea
2c		Seal - mechanical 5/8" bergman	1	49533	See 32014	ea
2d		Oring -1st stage body	1	40019	See 32014	ea
2e		Nut - half	2	401573	See 32014	ea
3		Backplate	1	12538	16.95	ea
4		Impeller - 60Hz HS12-30, 12-40	No. of stages	12545-1	43.95	ea
4		Impeller - 60Hz HS18-30, 18-40	No. of stages	12559-1	43.95	ea
4		Impeller - HS60 50Hz HS20-65 only	No. of stages	12559SP	43.95	ea
5		Ring - wear HS12 & HS18 models	1	12548-10	7.95	ea
5		Ring - wear HS20-65HT2-2	1	12548-10	7.95	ea
6		Diffuser kit - HS USA	1	32015SPUSA	95.95	ea
6a		Stage body - final stage HS	1	12543-10	36.95	ea
6b		Stage body - 2nd stage HS	2	12541-10	36.95	ea
6c		Baffle return vane	3	13197	7.95	ea
6d		Stage body - 1st (no hole)	1	12544-1	20.95	ea
7		Screw - casing (pk8) excl. HS20-65	1	S34M0616*8	10.95	pkt
7		Screw (pkt 8) HS20-65 only	1	S34M0620*8	10.95	pkt
8		Casing assy - front HS nps	1	31907SP	107.95	ea
9		Plug & oring, 3/8 priming	1	12597SP	17.95	ea
10		Checkvalve assembly	1	31573USA	12.95	ea
11		Support - foot/tape	1	12665SP	5.95	ea
12		Spacer - (3 stage only)	1	12618	11.95	ea
		Coupling assembly Not Illustrated	1	32320-1SP	13.95	ea
		Oring Not Illustrated	1	43061	4.95	ea
		Flow kohn Not Illustrated	1	11392-10	11.95	ea
		Plug & oring drain - HS USA Not Illustrated	1	49358SP	15.95	ea
		Hose - braided s/s for CL USA Not Illustrated	1	49376	65.95	ea
		Support washer Not Illustrated	4	12996	2.95	ea
		Rubber washer pkt 20 Not Illustrated	1	10089*20	13.95	pkt
		1" x 3/4" reducing bush Not Illustrated	1	47956	3.95	ea
		Kit- relay retrofit	1	32562	38.95	ea
		Seals & Plug Kit - HS USA	1	32563	99.95	ea
		Casing Kit HS USA	1	32564	124.95	ea
		Diffuser Assy Kit HS USA	1	32565	112.95	ea
		Wear Ring Kit	1	32566	31.95	ea
		Hydrascan Controller (All Models)	1	Replaced by Torrium Controller		ea

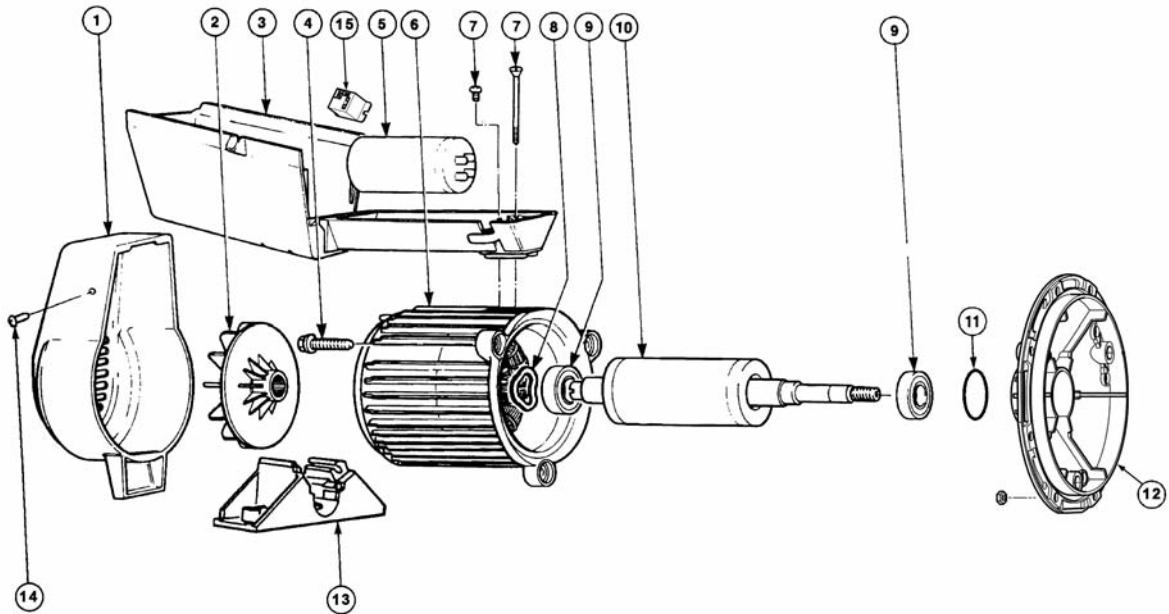
U.S. SERVICE CENTER RETAIL PRICE LIST Effective April 1st, 2009. All prices subject to change without notice. Drawings are indicative only, product appearance may change slightly. Some parts are not stocked individually and may be available only as part of a service kit or are special order items with extended lead times. To order call Toll Free 866-626-7867 or email: sales@primopumps.com

SERVICE MOTORS

HS12-30HT1, HS12-40HT1, HS18-30HT1
HS18-40HT2

75mm 1 phase 120V Motor Type 7040
75mm 1 phase 230V Motor Type 7041

- Notes: A. Suits HS12-30HT1-0, HS12-40, HS18-30-0 & HS18-30-1.
B. Suits HS12-30, HS12-40, HS18-30 (dash levels -2 & -3)
C. Refer to manufacturer's recommendations for handling viton fluoroelastomers.



ITEM	NOTES	DESCRIPTION	QTY	PART NO.	LIST PRICE (USD)	UNIT
1		Cowl - fan	1	11150-40	14.95	ea
2		Fan - cooling	1	11292-10	14.95	ea
3		Capacitor cover - complete 7040 only	1	13624SP	14.95	ea
3		Capacitor cover 7041 only	1	13214VAPSP	14.95	ea
4		Screw (pack of 3)	1	S34M0635*3	6.95	ea
5	A	Capacitor - 60mfd (-0 and -1 models)	1	49768	40.95	ea
5	B	Capacitor - 45mfd (-2 and -3 models)	1	400059	40.95	ea
5		Capacitor - 12mfd 7041 only	1	400270	39.95	ea
7		Kit - motor hardware	1	31437	4.95	kit
8		Washer - wave EPL34	1	40649	6.95	ea
9		Bearing - 6203-2RS1/C3Wt	2	48997	15.95	ea
10		Rotor (no bearings)	1	31567	110.95	ea
11	C	Oring - viton	1	48620SP	8.95	ea
12		Endshield adaptor (incl nuts)	1	31597SP	73.95	ea
13		Foot - mounting motor shell	1	11625	14.95	ea
14		Clip - retention (pk5)	1	49110*5	6.95	pkt
15		Relay - 30 amp (-0, -1, -2 only) 7040	1	48764-1	NLA	ea
15		Relay - Omron (-3 series only) 7040	1	400562	NLA	ea
		Kit - relay retrofit	1	32562	38.95	ea
		Fan & Cap Kit HS USA 110V	1	32570	24.95	ea
		Fan & Cap Cover Kit HS USA 220v	1	32567	24.95	ea
		Backplate & Bearings HS USA	1	32568	93.95	ea

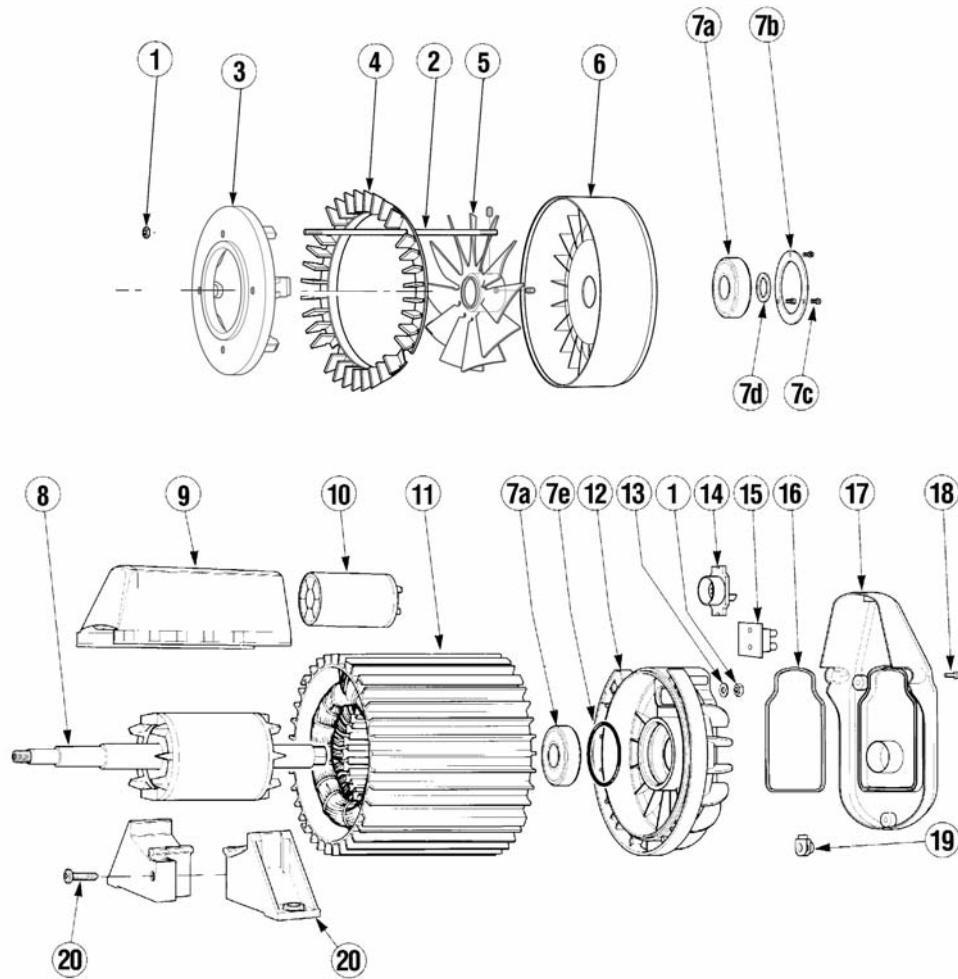
U.S. SERVICE CENTER RETAIL PRICE LIST Effective April 1st, 2009. All prices subject to change without notice. Drawings are indicative only, product appearance may change slightly. Some parts are not stocked individually and may be available only as part of a service kit or are special order items with extended lead times. To order call Toll Free 866-626-7867 or email: sales@primopumps.com

SERVICE MOTORS

HS20-65HT2

80mm 1 phase 230V Motor Type 832

Notes: A. Refer to manufacturer's recommendations for handling viton fluoroelastomers.



ITEM	NOTES	DESCRIPTION	QTY	PART NO.	LIST PRICE (USD)	UNIT
1		Nut - brass 6mm (pk8)	1	N54M06*8	8.95	pkt
2		Bolt - thru 60mm (pack of 4)	1	11952-2*4~	18.95	pkt
3		Adaptor	1	31925	41.95	ea
4		Baffle - fan	1	11841	14.95	ea
5		Fan - Plastic	1	12689	16.95	ea
6		Endshield - drive	1	11755SP	68.95	ea
7a		Bearing - 6304-2RSC3	1	48170~	20.95	ea
7b		Retainer - bearing	1	11953-10~	8.95	ea
7c		Screw (pack of 6)	2	10326*6~	8.95	pkt
7d		Washer - shaft	1	12006	3.95	ea
7e	A	Oring - (viton) bearing	1	48591SP~	8.95	ea
8		Rotor	1	31928	171.95	ea
9		Cover - capacitor printed	1	11758-3SP	13.95	ea
10		Capacitor 30mfd with loom	1	400240SP~	37.95	ea
11		Stator assy	1	31435	269.95	ea
12		Endshield & oring -non drive	1	11840SP	75.95	ea
13		Washer - thru bolts (pk8)	1	W35M0601*8~	5.95	pkt
14		Overload - thermal MEA68403	1	48143	34.95	ea
15		Connector -15A 415V 1110-FV	1	41270-5	9.95	ea
16		Gasket - terminal cover	1	12047	6.95	ea
17		Cover - terminal	1	11955	10.95	ea
18		Screw - (pack of 6)	1	48228-10*6~	8.95	pkt
19		Grommet - lead	1	11957	4.95	ea
20		Foot assy	1	11963	8.95	ea

U.S. SERVICE CENTER RETAIL PRICE LIST Effective April 1st, 2009. All prices subject to change without notice. Drawings are indicative only, product appearance may change slightly. Some parts are not stocked individually and may be available only as part of a service kit or are special order items with extended lead times. To order call Toll Free 866-626-7867 or email: sales@primopumps.com